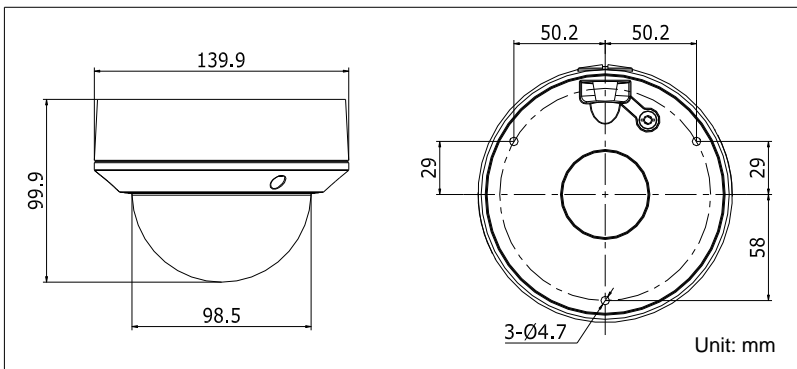


## VIAAS™ – BCE-140OD3-32G 2MP WDR Vari-focal Dome Network Camera



### FEATURES

- 1/2.8" Progressive Scan CMOS
- Up to 2 megapixel resolution
- 120dB WDR
- 3D DNR
- Motorized lens 2.8-12mm (-Z)
- Up to 30 meters IR range
- VIAAS Secure Cloud Video Storage
- Built-in Micro SD/SDHC/SDXC card slot, up to 128 GB
- Audio input
- 12V DC±25% & PoE(802.3af Class 3)
- Support H.264
- IP67
- IK10

## VIAAS™ – BCE-140D3-32G 2MP WDR Vari-focal Dome Network Camera



### Specifications

<b>Camera</b>	
Image Sensor	1/2.8" Progressive Scan CMOS
Min. Illumination	0.01Lux @(F1.2,AGC ON), 0.014 Lux @(F1.4,AGC ON), 0 Lux with IR
Shutter Speed	1/3 s ~ 1/100,000 s
Slow Shutter	Supported
Lens	2.8 - 12 mm @ F1.4, motorized lens (-Z), angle of view: 106°~35°
Angle Adjustment	Pan:0° - 355°, Tilt: 0° - 75°, Rotation: 0° - 355°
Lens Mount	Φ14
Day & Night	IR cut filter with auto switch
WDR	120dB
<b>Compression</b>	
Video Compression	H.264
H.264 Type	Main Profile
Video Bit Rate	Up to 2Mbps
Audio (-S)	G.711/G.722.1/G.726/MP2L2, 64Kbps(G.711) / 16Kbps(G.722.1) / 16Kbps(G.726) / 32-128Kbps(MP2L2)
<b>Image</b>	
Max. Resolution	1920 × 1080
Max Frame Rate	50Hz: Main stream: 25fps(1920 × 1080, 1280 × 960, 1280 × 720); Sub stream: 25fps(352×288), 25fps(640×360) 60Hz: Main stream: 30fps (1920 × 1080, 1280 × 960, 1280 × 720); Sub stream: 30fps(352×240), 30fps(640×360)
Enhancement	BLC/3D DNR/ROI
Image Setting	Rotate Mode, Saturation, Brightness, Contrast, Sharpness adjustable by client software or web browser
Day/Night Switch	Auto/Schedule/Triggered by Alarm In
<b>Network</b>	
Storage	VIAAS Secure Cloud, Built-in Micro SD/SDHC/SDXC card slot, up to 128 GB (32GB is included)
Detection	Motion detection, Dynamic analysis
Alarm Trigger	Tampering alarm, Network disconnect, IP address conflict, Storage exception
Protocols	VIAAS Cloud
General Functions	One-key reset, Anti-flicker, heartbeat, mirror, password protection, privacy mask, watermark, IP address filtering, anonymous access
Standard	ONVIF (PROFILE S, PROFILE G), PSIA, CGI, ISAPI
<b>General</b>	
Interface	1 RJ45 10M/100M Ethernet interface
Operating Conditions	-30 °C – 60 °C (-22 °F – 140 °F), Humidity 95% or less (non-condensing)
Power	12V DC±25%, PoE (802.3af, Class 3), Max. 5.5 W (Max. 7.5 W with IR illumination on)
Material	Front Cover & Base: Metal
Ingress Protection	IP67
Impact Protection	IEC60068-275Eh, 20J; EN50102, up to IK10
IR Range	20~30 meters
Dimensions	Φ 140 × 99.9 mm (Φ 5.51" × 3.94")
Weight	1000g (2.20lbs)